



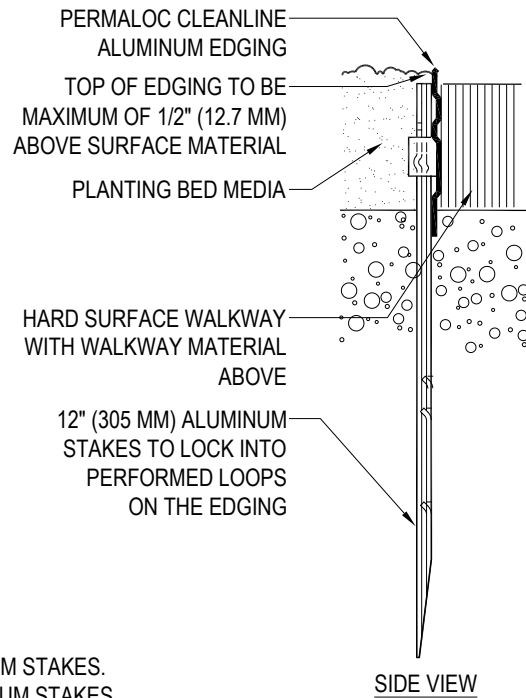
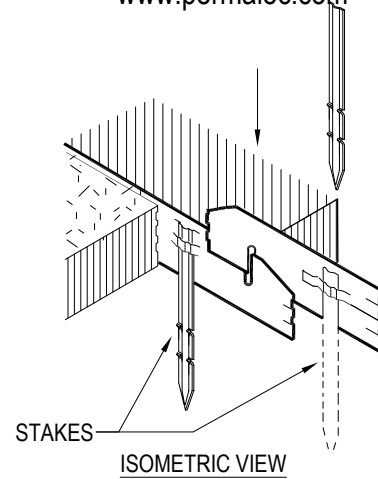
PERMALOC CORPORATION
 13505 BARRY ST
 HOLLAND, MI 49424
 TOLL FREE: 1-800-356-9660
 PHONE: (616) 399-9600
 FAX: (616) 399-9770
 www.permaloc.com

SELECT DESIRED SIZE AND FINISH:

- 1/8" X 4" (3.2 MM X 102 MM), 0.072" (1.83 MM) THICK WITH 0.135" (3.43 MM) EXPOSED TOP LIP
 - MF BL GR BR BLANO
- 3/16" X 4" (4.8 MM X 102 MM), 0.116" (2.95 MM) THICK WITH 0.187" (4.75 MM) EXPOSED TOP LIP
 - MF BL GR BR BLANO
- 1/8" X 5 1/2" (3.2 MM X 140 MM), 0.072" (1.82 MM) THICK WITH 0.135" (3.43 MM) EXPOSED TOP LIP
 - MF BL GR BLANO
- 3/16" X 5 1/2" (4.8 MM X 140 MM), 0.116" (2.95 MM) THICK WITH 0.187" (4.75 MM) EXPOSED TOP LIP
 - MF BL GR BLANO

FINISH LEGEND:

MF - MILL FINISH-NATURAL ALUMINUM
 BL - BLACK DURAFLEX-MEETS AAMA 2603
 GR - GREEN DURAFLEX-MEETS AAMA 2603
 BR - BRONZE DURAFLEX-MEETS AAMA 2603
 BLANO - BLACK ANODIZED-CLASS II, AA-M10C21A33

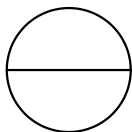


NOTES:

1. 8'-0" (2.44 M) SECTIONS TO INCLUDE (3) 12" (305 MM) ALUMINUM STAKES.
2. 16'-0" (4.88 M) SECTIONS TO INCLUDE (5) 12" (305 MM) ALUMINUM STAKES.
3. CORNERS - CUT BASE EDGING UP HALFWAY AND FORM A CONTINUOUS CORNER.
4. PERMALOC CLEANLINE AS MANUFACTURED BY PERMALOC CORPORATION.

NOTES:

1. INSTALLATION TO BE COMPLETED IN ACCORDANCE WITH MANUFACTURER'S SPECIFICATIONS.
2. DO NOT SCALE DRAWING.
3. THIS DRAWING IS INTENDED FOR USE BY ARCHITECTS, ENGINEERS, CONTRACTORS, CONSULTANTS AND DESIGN PROFESSIONALS FOR PLANNING PURPOSES ONLY. THIS DRAWING MAY NOT BE USED FOR CONSTRUCTION.
4. ALL INFORMATION CONTAINED HEREIN WAS CURRENT AT THE TIME OF DEVELOPMENT BUT MUST BE REVIEWED AND APPROVED BY THE PRODUCT MANUFACTURER TO BE CONSIDERED ACCURATE.
5. CONTRACTOR'S NOTE: FOR PRODUCT AND COMPANY INFORMATION VISIT www.CADdetails.com/info AND ENTER REFERENCE NUMBER 006-018



LANDSCAPE EDGING DETAIL

RAISED PLANTING BED ALONG WALKWAY