



ARCHITECT NOTE: CHECK OFF APPLICABLE SIZE & FINISH DESIRED

SIZE:

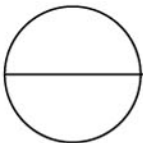
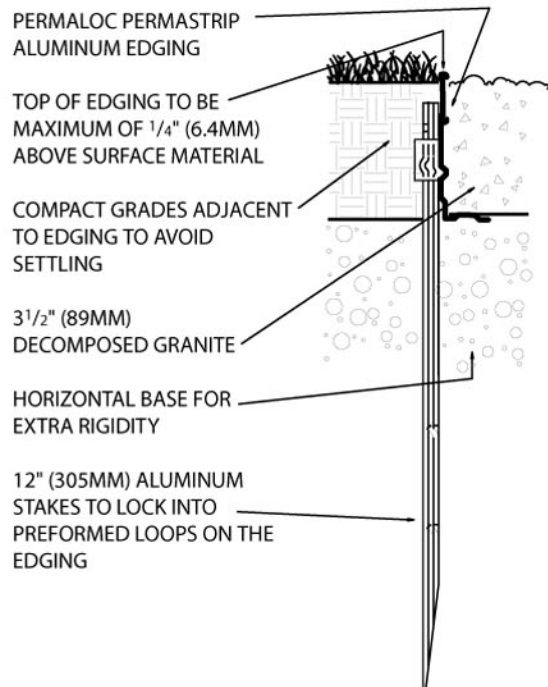
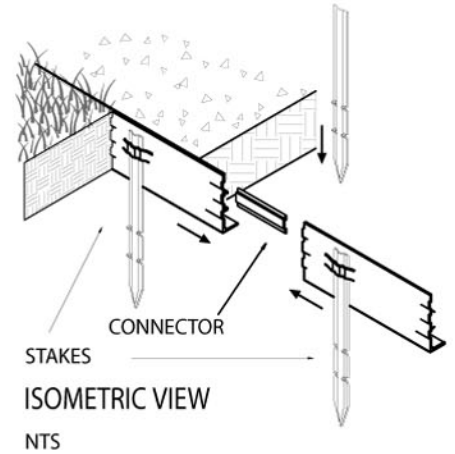
- 1/8" X 3 1/2" (3.2 MM x 89 MM)  
0.060" (1.52 MM) THICK W/ 0.200" (5.08 MM) EXPOSED TOP LIP
- 3/16" X 3 1/2" (4.8 MM x 89 MM)  
0.076" (1.93 MM) THICK W/ 0.200" (4.83 MM) EXPOSED TOP LIP

FINISH LEGEND:

- (MF) MILL FINISH-NATURAL ALUMINUM
- (BL) BLACK DURAFLEX-ELECTROSTATICALLY APPLIED BAKED ON PAINT, MEETS AAMA 2603

NOTES:

1. INSTALL PER MANUFACTURER'S "INSTALLATION GUIDELINES"
2. 8'-0" (2.44 M) SECTIONS TO INCLUDE (3) 12" (305 MM) ALUMINUM STAKES.
3. 16'-0" (4.88 M) SECTIONS TO INCLUDE (8) 12" (305 MM) ALUMINUM STAKES.  
CORNERS: NOTCH BASE ONLY AND FORM CONTINUOUS CORNER.
4. PERMALOC PERMASTRIP AS MANUFACTURED BY PERMALOC CORPORATION, HOLLAND MI.  
(800) 356-9660,  
(616) 399-9600  
CONTRACTOR'S NOTE: FOR PRODUCT AND PURCHASING INFORMATION VISIT: WWW.PERMALOC.COM
- 6.



EDGE DETAIL-DECOMPOSED GRANITE WALKWAY

SCALE: 3"=1'-0"